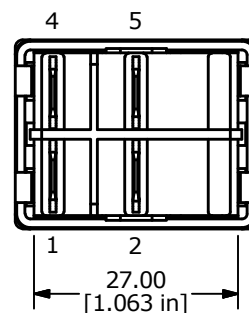
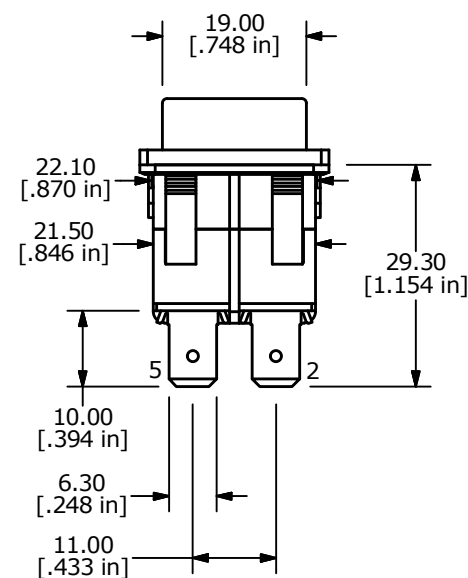
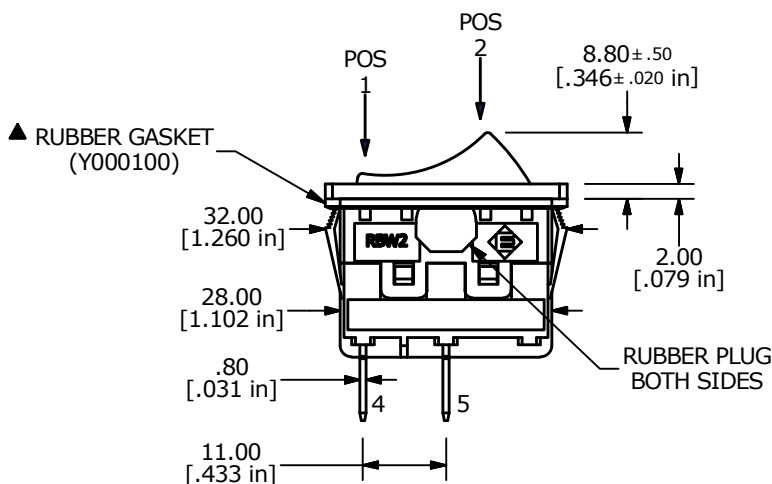
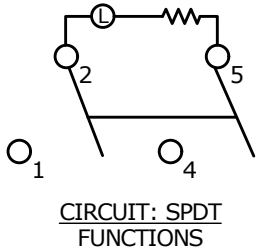


RECOMMENDED PANEL MOUNTING

PANEL THICKNESS	X
1.2-1.8	29.9/30.0
1.8-2.4	30.3/30.4
2.4-3.0	30.7/30.8

SWITCH FUNCTION	
POS. 1	POS. 2
OFF	ON
OPEN	2-1, 5-4



- NOTES:
- ALL DIMENSIONS IN MM [INCH]
 - GENERAL TOLERANCE: X,X=±0.4
X.XX=±0.25
 - TERM. NOS. FOR REF. ONLY
 - RATING: CUL: 16(16)A 125VAC 5E4 T85
1/3HP 125VAC IP66
VDE: 10(10)A 250VAC 5E4 T85
 - MECHANICAL LIFE: 50,000 CYCLES
 - CONTACT RESISTANCE: <30 MILLI-OHMS INITIAL
 - DIELECTRIC STRENGTH: 1000V AC 1MIN
 - ▲ DENOTES CRITICAL PARAMETER.
 - INSULATION RESISTANCE: 500M OHMS AT 500VDC
 - OPERATING TEMP: -20°C to 85°C
 - ▲ LAMP: 250VAC NEON
 - RATING: IP66
 - 2011/65/EU (ROHS) COMPLIANT



A	22816	NEW RELEASE	4/20/17	MJR
REV	PCR NO	DESCRIPTION	DATE	BY

TITLE RBW2ABLKILGF2				
SCALE 2:1	DATE 4/20/2017	DR MJR	DWG Y100017	REV A

THE INFORMATION CONTAINED IN THIS DOCUMENT IS PROPRIETARY TO E-SWITCH AND IS NOT TO BE COPIED OR TRANSFERRED